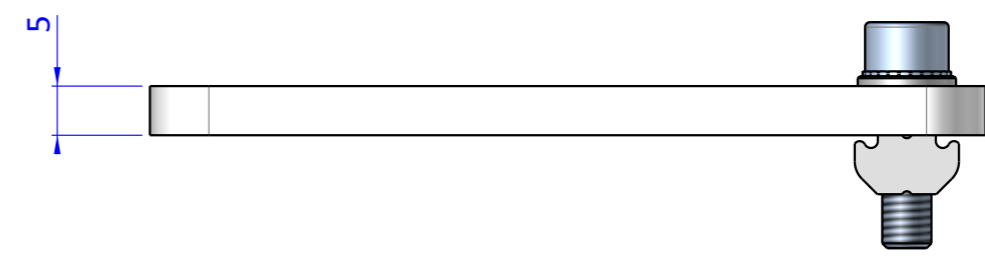
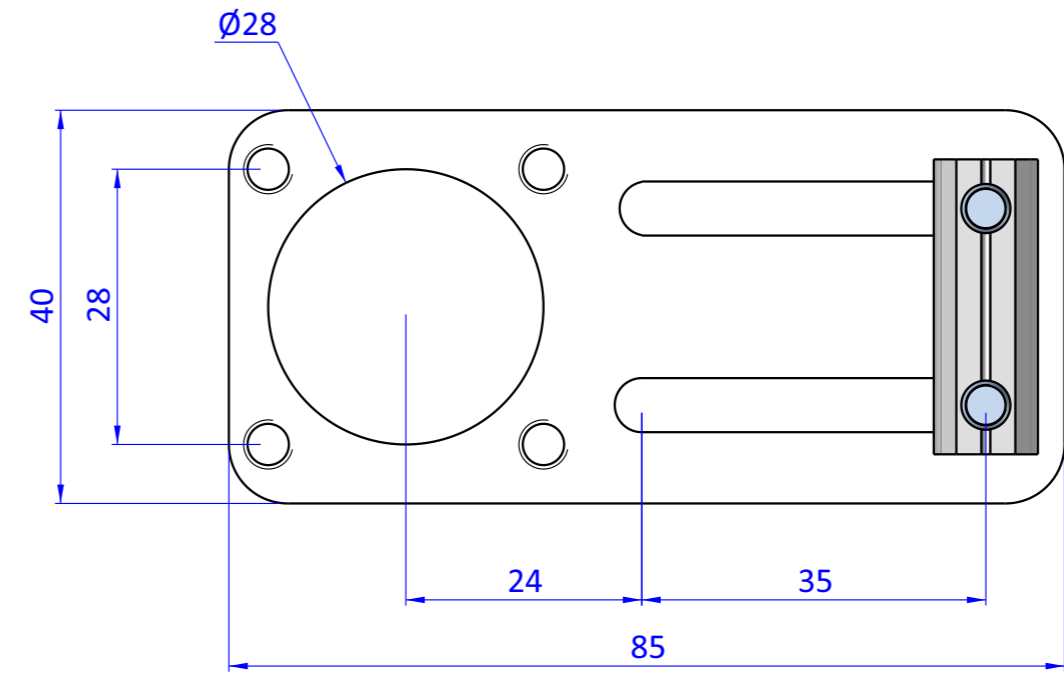
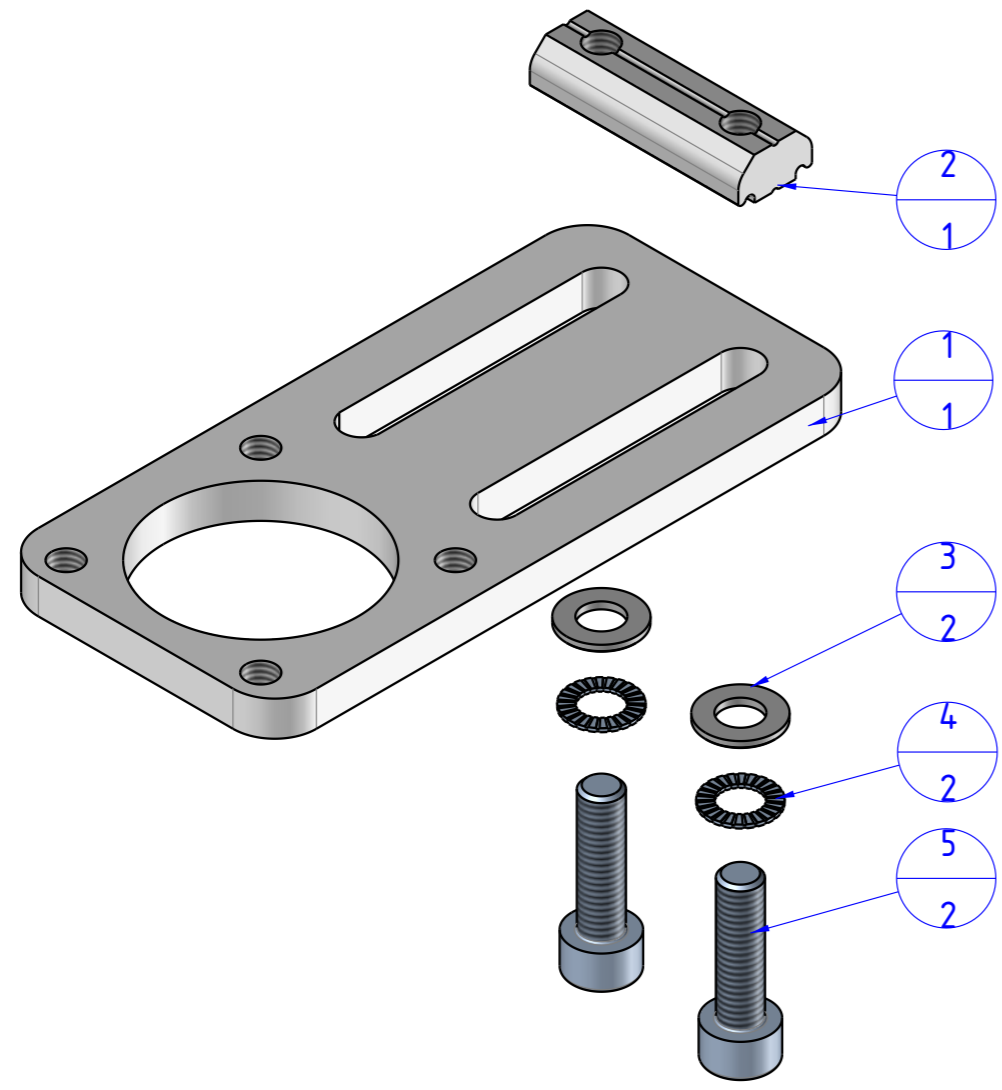



THE PROPERTY OF THE DRAWING IS ESTABLISHED BY LAW. IT IS FORBIDDEN TO PRODUCE OR SHOW IT TO THIRD PART - WITHOUT A WRITTEN AGREEMENT.

Item	Name	Q.ty
1	CA.11.08.004	1
2	CA.GWP.5.20	1
3	R.5	2
4	R.5.SCH	2
5	V.TCE5x18	2



Format A3  
UNI 936-76

 <b>FPS</b> FPSERVICES AUTOMATION		DESIGNED FROM		REVIEW
		FPS Automation		A
GENERAL TOLERANCE		DATE	WEIGHT	
UNI - ISO 2768		28/07/2022	0,053kg	
CLASSE f		CODE		
		CA.11.08.004.X		CA.11.08.004.X